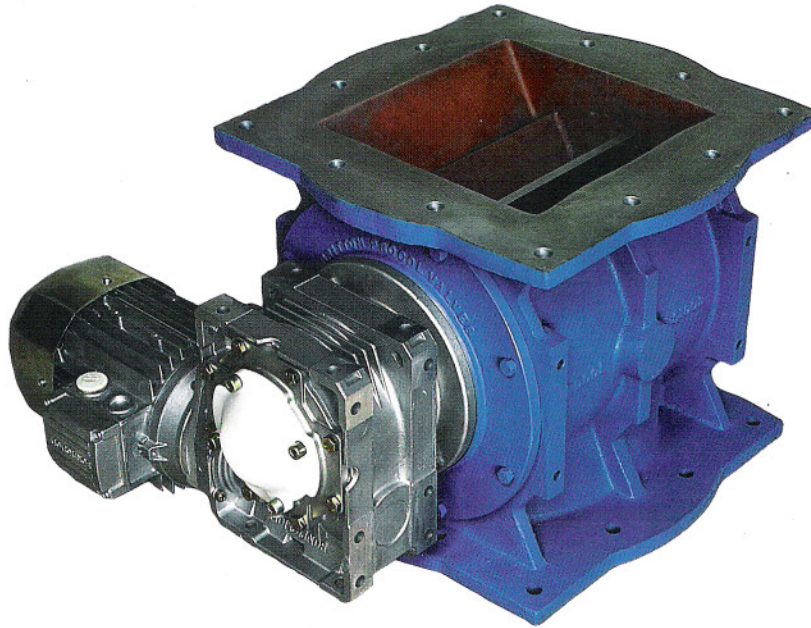


ROTARY VALVES

TYPE DRV

- FOR DISCHARGING FILTERS & CYCLONES
- DIRECT DRIVE FIXED SPEED ROTOR
- ROBUST CAST IRON BODY
- FLANGES DRILLED ROUND OR SQUARE
- 8 BLADE CLOSED END ROTOR
- LOW COST



DRV Rotary Valves are designed to discharge powders and granules from filters and cyclones. They are a single specification low cost range of valves designed to maintain high sealing and feeding efficiencies under arduous operating conditions.

The valves have robust cast iron bodies with stiffening ribs to prevent distortion under load and body inlets have integral shear planes to reduce product shearing loads. Valve bodies have square inlets and round outlets enabling the valves to be connected to equipment with either round or square connections.

The rotors are fabricated in mild steel with closed ends, 8 blades and heavy duty shafts to withstand the differential pressures normally found in filter and cyclone applications. Valve endplates are spigot located within the body to ensure concentricity and are fitted with inboard lip type shaft seals and ball bearings.

Drive is provided by a worm geared motor flange mounted from the valve endplate and direct coupled to the rotor shaft.

Britton Procol

— VALVES —



*See over for
planning-in
dimensions*

THE DOWSON GROUP

www.dowsongroup.com

BRITTON PROCOL VALVES

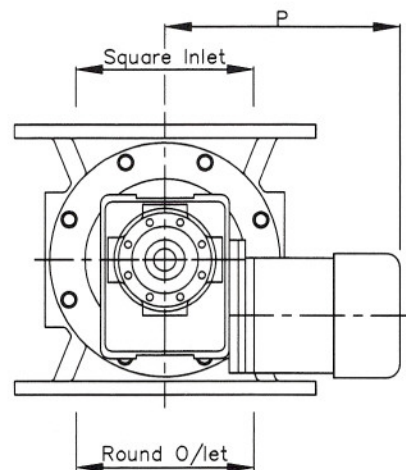
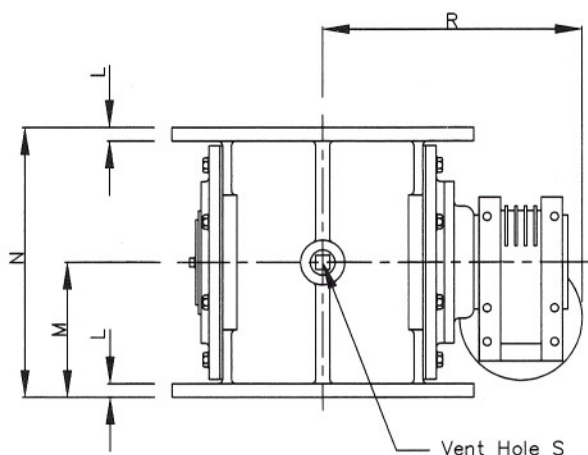
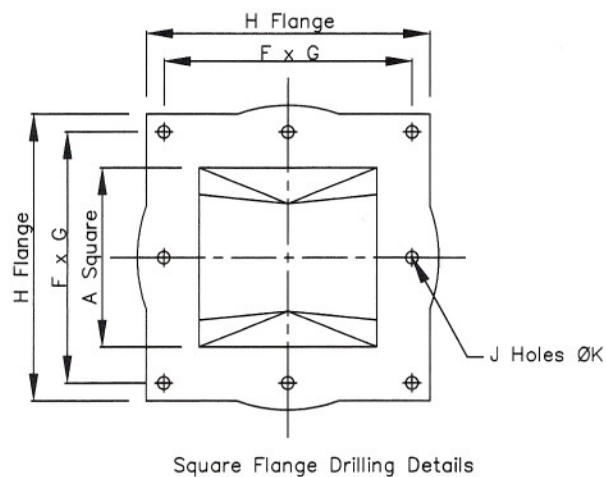
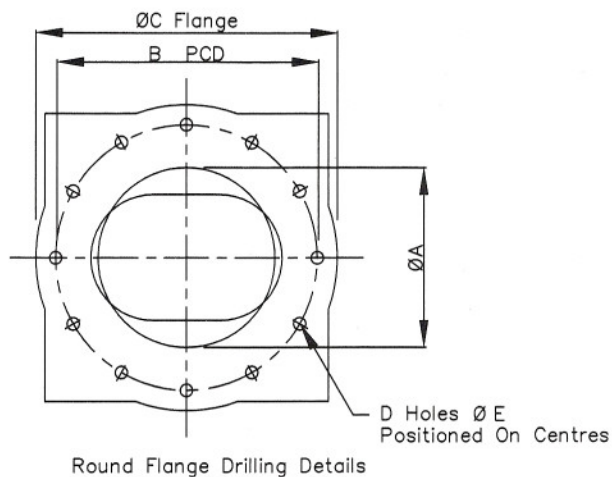
DOWSON HANDLING

HELI-TEC

LINNOR

WRIGHTS





Valve Size	Ltr/Rev	A	B	C	D	E	F	G	H	J	K
150	2.29	150	240	285	8	12	2	105	250	8	12
200	6.0	200	295	340	12	14	2	140	320	8	14
250	11.89	250	355	405	12	14	3	110	370	12	14
300	20.4	300	410	460	12	14	3	126	420	12	14

Valve Size	L	M	N	P	R	S	Kw	Valve References	
								Round Flanges	Square Flanges
150	12	120	240	250	270	3/4" BSP	0.37	DRR 1001	DRS 1001
200	15	150	300	275	295	1" BSP	0.37	DRR 1002	DRS 1002
250	15	172	344	325	330	1" BSP	0.75	DRR 1003	DRS 1003
300	15	225	450	375	355	1" BSP	0.75	DRR 1004	DRS 1004

GENERAL DATA

Connection Flanges: Round: Procol standard pattern
 Square: Procol standard pattern

Maximum working pressure: 0.3 bar g

Maximum working temperature: 100°C

Cast body and endplates: Grey cast iron

Closed End Rotor with 8 Fixed Blades

Rotor material: Mild steel

Rotor blades: Mild steel

Shaft seal: Rotary Lip Seals

Bearings: Inboard ball bearing sealed for life (none drive side only)

We are continually developing our products and accordingly we reserve the right to change specifications and dimensions without prior notice.

