

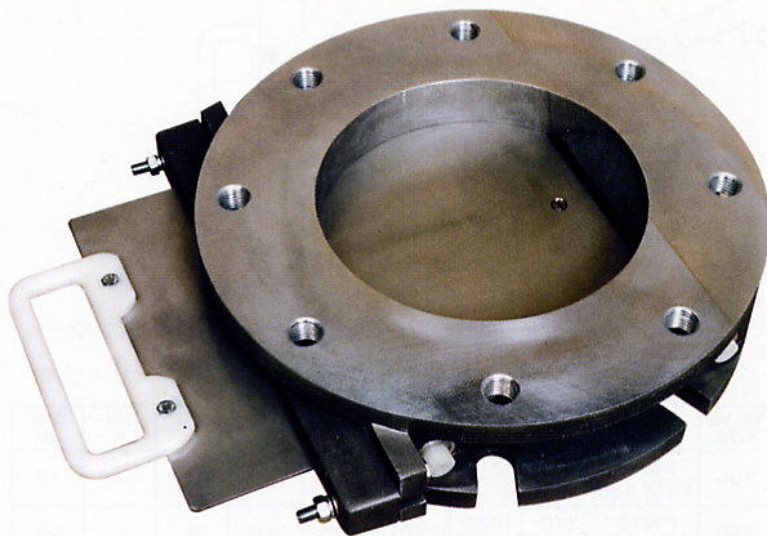
SLIDE VALVE

MANUAL TYPE VN

- SIZES 100-300mm ROUND
- MACHINED CAST ALUMINIUM BODY
- STAINLESS STEEL SLIDE PLATE
- FOR IN-LINE USE AS AN EMERGENCY VALVE

A range of manual slide valves for powders developed especially to meet the need for an emergency valve. The slide plate can be fitted with the standard nylon handle for normal push/pull operation or with a Striker plate for emergency use when downstream equipment needs to be isolated for maintenance/repair.

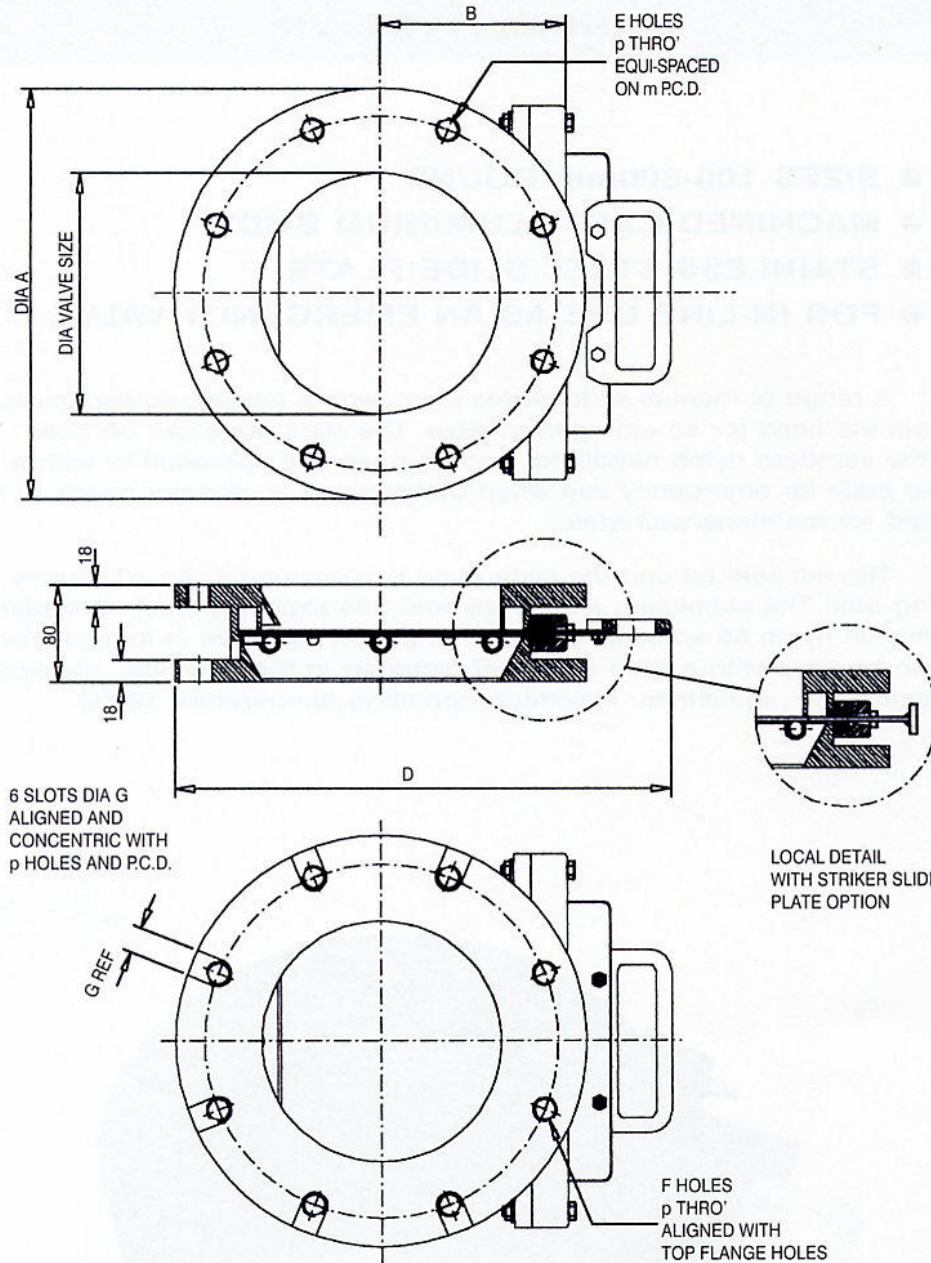
The felt seal around the slide plate is contained in an adjustable stuffing box. The aluminium alloy body and 304 stainless steel slide plate, running on nylon 66 adjustable supports, permit the valve in its standard form to be used with a wide variety of materials in the chemical, plastics, foodstuffs, etc., industries. Maximum operating temperature 120°C.



Britton Procol
VALVES

*See over for
planning-in
dimensions*





VALVE SIZE		DIM Dia m	DIM p	DIM A	DIM B	DIM D	DIM E	DIM F	DIM G
100	PN10	180	M16	229	105	314	8	-	18
	ANSI 150	190	5/8" UNC						
150	PN10	240	M20	279	130	364	8	-	22
	ANSI 150	241	3/4" UNC						
200	PN10	295	M20	343	155	414	8	-	22
	ANSI 150	298	3/4" UNC						
250	PN10	350	M20	406	180	470	12	2	22
	ANSI 150	362	7/8" UNC						
300	PN10	400	M20	483	205	520	12	2	22
	ANSI 150	432	7/8" UNC						

Dimensions in mm.

We are continually developing our products and accordingly we reserve the right to change specifications and dimensions without prior notice.

Britton Procol
VALVES

BRITTON PROCOL VALVES · KYNOCHS
BIDEFORD · DEVON · ENGLAND · EX39 4DT
TEL 01237 477465 · FAX 01237 421459
EMAIL post@britton.dowsongroup.com
www.dowsongroup.com