

PC DIVERTER VALVES

Procol PC Diverters are designed to route product flow in dilute and medium phase pneumatic conveying systems handling mild or none abrasive products.

They are available in three standard configurations:

- 'ST' Type (Straight through)
- 'Y' Type
- Parallel

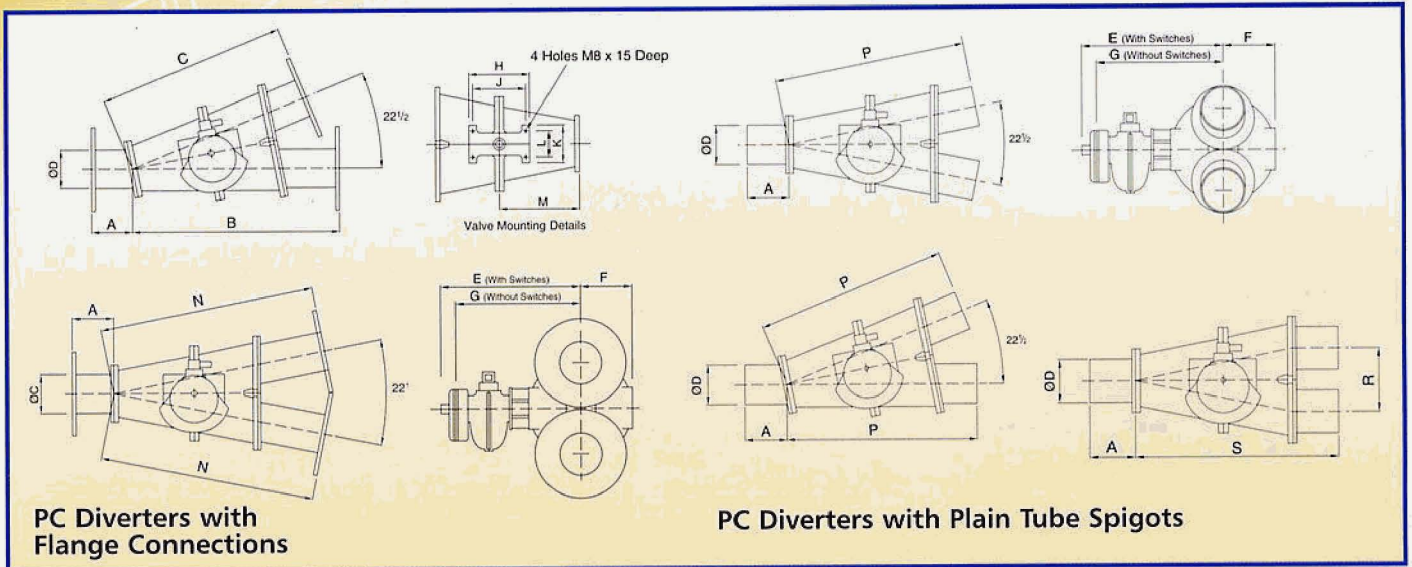
Procol PC Diverters have cast bodies fitted with stainless steel vane

assemblies mounted in phosphor bronze bearings. The vane has a self adjusting polyurethane seal which bears on a fully machined surface to ensure a high sealing efficiency. Changes in cross sectional area are minimised through the valve to reduce conveying line pressure drop.

The Diverters are supplied with plain spigot connections as standard. Flanged connections conforming to a wide variety of pipe standards are available as an option.

Valve actuation may be manual,

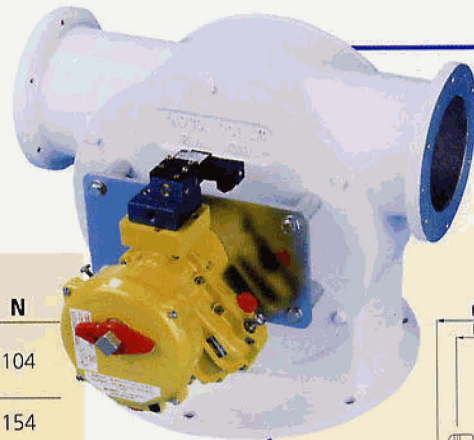
pneumatic or electrically operated and are available with with various material options.



Valve Size	A	B	C	D	E	F	G	H	J	K	L	M	N	P	R	S
50 - 2"	80	390	340	2"	245	80	190	140	124	80	60	136	450	340	100	330
75 - 3"	85	530	480	3"	265	100	210	140	124	80	60	169	550	395	120	390
100 - 4"	110	660	610	4"	340	125	295	160	140	100	70	210	600	495	150	490
125 - 5"	110	800	750	5"	390	175	345	160	140	100	70	327	650	625	200	615
150 - 6"	110	830	780	6"	390	175	345	160	140	100	70	300	750	665	216	655

Rotary Scale Valves

Valve Size	A	B	C	D	E	F	G	H	J	K	L	M	N
50	2"												
75	3"	100	575	285	240	325	245	170	12	300	330	256	104
100	4"												
125	5"	150	675	355	320	440	320	220	12	400	430	356	154
150	6"												



Mounting Flange Detail

