

## IRIS DIAPHRAGM VALVE

### TYPE SL & DL

- SUITABLE FOR POWDER OR GRANULES
- ALUMINIUM OR STAINLESS STEEL CONSTRUCTION
- CHOICE OF DIAPHRAGM MATERIALS
- SIZES 100 – 300mm
- MANUAL OR PNEUMATIC OPERATION
- TYPE SL – DESIGNED FOR IBC OUTLETS

The concept of the Iris Diaphragm Valve is similar to that of the iris in a camera. Materials of construction are Cast Aluminium, 304 or 316 Stainless Steel. Diaphragm materials are chosen to suit the application and include: nylon, polyurethane coated nylon, latex food quality rubber and silicone food quality rubber.

A guide sleeve passing through the orifice of the valve can be fitted as an option. This avoids the product directly contacting the diaphragm, thereby enhancing the life of the diaphragm.

#### TYPE SL

A cylindrical, flexible diaphragm is fitted with flanges at both ends. The flange at the upper end is held stationary while the flange at the lower end is rotated so as to twist the diaphragm. This results in an effective locking and unlocking arrangement which controls the flow of material through the diaphragm.

If ordered for use on Intermediate Bulk Containers (IBCs) this valve is supplied with the following special features:

- Specially designed handle with Celcon/Polycarbonate trigger
- Three locking positions at the closed end
- Quick release transit cover (optional) for extra security during transportation and for ready sampling

#### TYPE DL

In addition to the two flanges, an intermediate flange is introduced in the middle of the tubular diaphragm. The 'middle' or 'intermediate' flange is rotated while the other two flanges remain stationary. Since the middle flange rotates through 180 degrees, there is double locking of the diaphragm. An advantage of this design is that the bottom flange is stationary, allowing the valve to be used inline.

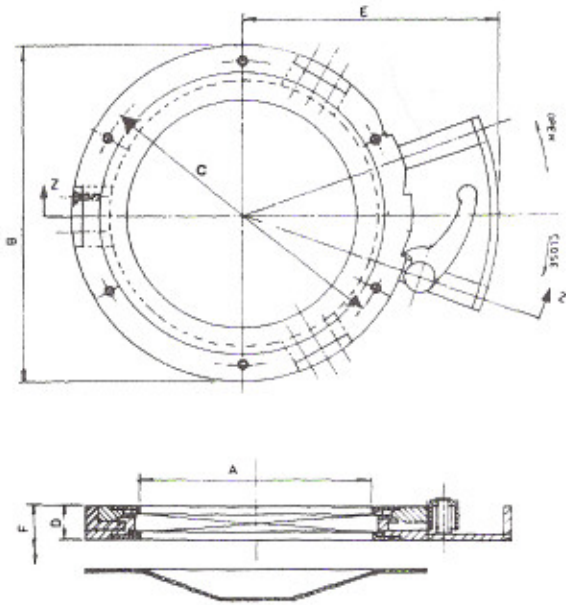
This valve is also available with pneumatic operation fitted with a PU coated nylon diaphragm as standard.



**Britton Procol**  
**VALVES**

See over for  
planning-in  
dimensions



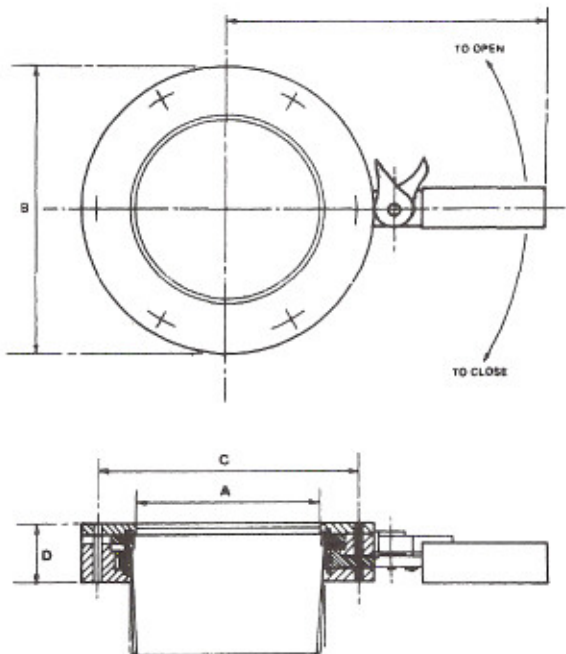


### Dimensions for CVSL - Material - Aluminium

Model	A	B	C	D	E	Mounting Holes	F	Wt. in Kg.
CVSL-100	100	175	156	32	125	6 x M8	62	1
CVSL-150	150	225	203	32	150	6 x M8	62	1.5
CVSL-200	200	280	254	32	175	6 x M8	62	2.4
CVSL-250	250	355	327	32	200	6 x M10	62	3.3
CVSL-300	300	405	378	32	225	6 x M10	62	3.9

### Dimensions for CVSL - Material - S. S.

Model	A	B	C	D	E	Mounting Holes	F	Wt. in Kg.
CVSL-100	100	175	156	26	125	6 x M8	56	2.5
CVSL-150	150	225	203	26	150	6 x M8	56	3.5
CVSL-200	200	280	254	26	175	6 x M8	56	5.8
CVSL-250	250	355	327	26	200	6 x M10	56	9.5
CVSL-300	300	405	378	26	225	6 x M10	56	11.5



### Dimensions for CVDL - (Material - S. S. / Aluminium)

Model	A	B	C	D	Mounting Holes	Wt. in Kg. (App)
CVDL-75	75	130	113	26	6 x M6	2.6 / 1.0
CVDL-100	100	175	156	26	6 x M8	3.2 / 1.3
CVDL-150	150	225	203	28	6 x M8	4.8 / 1.8
CVDL-200	200	280	254	28	6 x M8	6.3 / 2.8
CVDL-250	250	355	327	29	6 x M10	10.4 / 3.7
CVDL-300	300	405	378	29	8 x M10	12.2 / 4.5

We are continually developing our products and accordingly we reserve the right to change specifications and dimensions without prior notice.

**Britton Procol**  
**VALVES**

BRITTON PROCOL VALVES · KYNOCHS  
 BIDEFORD · DEVON · ENGLAND · EX39 4DT

TEL 01237 477465 · FAX 01237 421459  
 EMAIL [post@britton.dowsongroup.com](mailto:post@britton.dowsongroup.com)  
[www.dowsongroup.com](http://www.dowsongroup.com)